

**Talis E**  
**Single lever basin mixer 110 without waste set**  
 Surfaces: **Matt Black** Article Number: **71712670**



### Description

#### product features

- ComfortZone 110
- projection 112 mm
- maximum flow rate at 3 bar: 5 l/min
- ceramic cartridge
- temperature limitation adjustable
- suitable for continuous flow water heaters
- connection type: G 3/8 connections
- connection dimension: DN15

### Technology



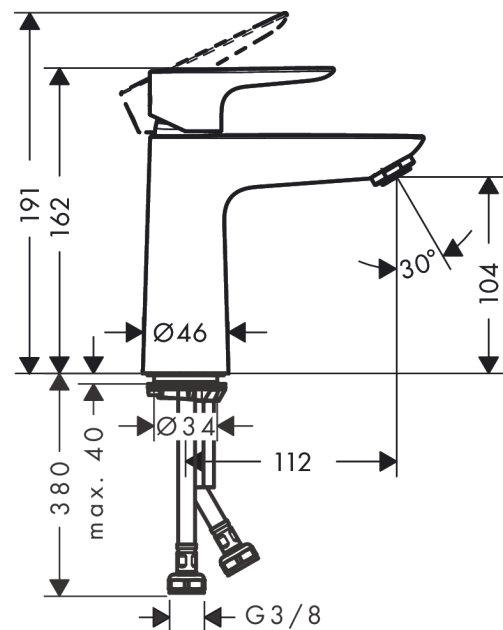
### Design awards



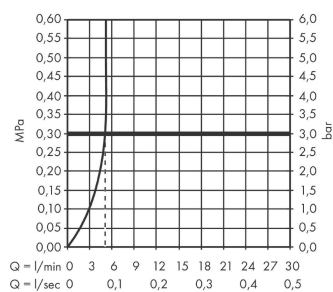
### Product image



### Scale drawing



### Flowchart

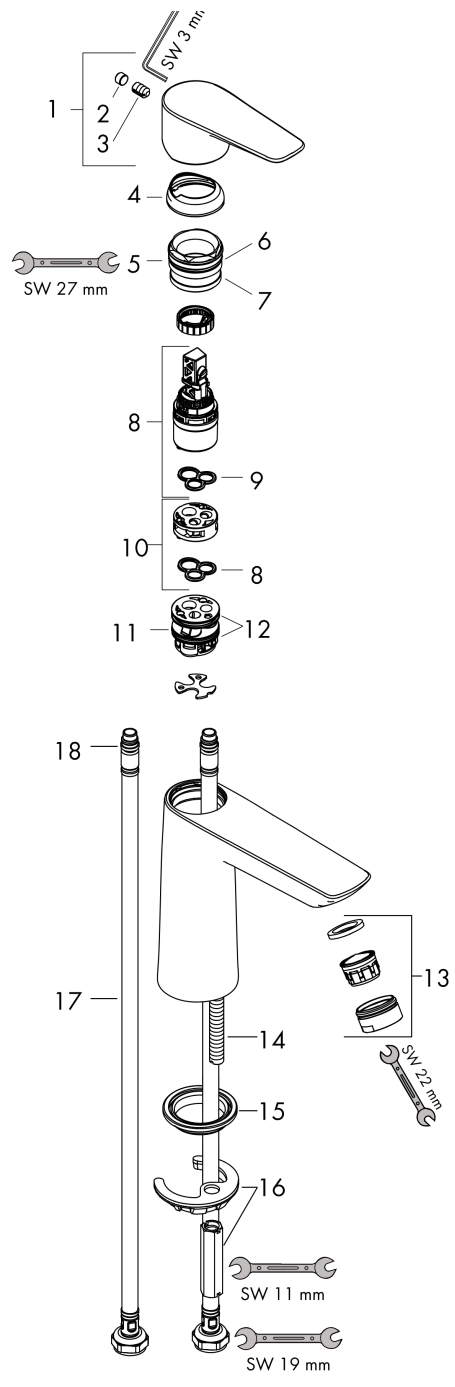


**Talis E**  
**Single lever basin mixer 110 without waste set**  
 Surfaces: **Matt Black**    Article Number: **71712670**



## Exploded Drawing

Year of production: >06/20



**Talis E**  
**Single lever basin mixer 110 without waste set**  
 Surfaces: **Matt Black** Article Number: **71712670**



### Spare part list

Year of production: >06/20

Pos.	Description	Article Number	Price	PU
1	handle	92687670	-	1
2	hollow set screw M6x10 DIN 916	96029000	-	1
3	screw cover	95704000	-	1
4	flange	92625670	-	1
5	nut	92689000	-	1
6	O-ring 25x1,5	98146000	-	1
7	O-ring 27x1,5	92527000	-	1
8	cartridge, assy	97685000	-	1
9	seal	98865000	-	1
10	adapter for cartridge	92628000	-	1
11	adapter for cartridge	98866000	-	1
12	O-ring 23x2	98398000	-	1
13	aerator M24x1 (5 l/min)	13185670	-	1
14	screw M8 x 68	97736000	-	1
15	seal	97608000	-	1
16	fixing set	96016000	-	1
17	connection hose 450 mm M8x0,75 G3/8	97206000	-	1
18	O-ring 6,6x1,6	93019000	-	1